

BOSAQ

A WATER EXPERT WITH A GOAL



BOSAQ[®]

WATER THAT SAVES THE WORLD

VISION & MISSION

VISION

A world where everyone has access to clean premium drinking water

MISSION

To provide the world with sustainable premium drinking water in a socially responsible way

“If it is possible to manage water in a sustainable manner in the most extreme and remote place in the world, it should be possible anywhere.”

- Jacob Bossaer CEO – 5 years water engineer on Princess Elisabeth station
Antarctica



BOSAQ-HOLDING

B
O
S
A
Q

B
U
-
U
N
I
T
S

COMMERCIAL

CONSULTANCY

TECHNOLOGY

PREMIUM WATER

PILLARS OF BOSAQ

Sustainable
solutions

Economic
value creation

Social Impact

W
A
T
E
R

H
E
R
O
E
S

NON-PROFIT

- Maximizing our social impact
- Buying at BOSAQ = supporting Water Heroes
- USP for BOSAQ
- Stimulates brand ambassadorship

CONSULTANCY

CONSULTANCY

Water Audit & Management

We measure an organization's water use and implement a sustainable water management plan. The goal? Saving water and saving money.

Water reuse

We focus on water reuse in waterintensive businesses mainly in the food sector.

Complex Water Solutions

BOSAQ only has one focus: water. We dig really deep into the issue, giving us the edge to find the perfect solutions for the most complex water challenges. With all inhouse expertise.



BOSAQ[®]
The sustainable water company

Client Cases

LARGEST PRIVATE LABEL PRODUCER OF RICE, CORN AND MULTI
GRAIN BISCUITS



PROBLEM

- Oil in their water

SOLUTION

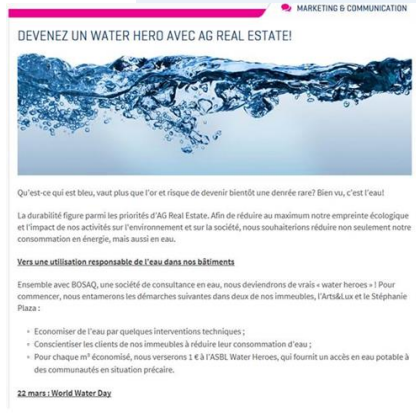
- Valorise the oil as biodiesel
- Reducing the waterfootprint
- Integrate a solid water management
- Waste water treatment



- Saving water through technical interventions
- Sensitizing property occupants through an awareness campaign

80% of consumers are committed to sustainability

They expect transparency*



- Per one cubic meter of water that is saved, €1,- will go to WATER HEROES

SOLARAQ I

CHALLENGES



- Many systems fail due to **lack of maintenance**



- **Plastic bottles** to disaster areas generates tons of **landfill** and is **1.166 times more expensive** than water purification systems - *USAID*

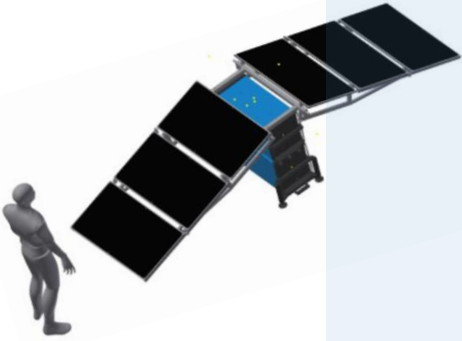


- Systems that use **renewable energy**, that **minimize the use of chemicals** and impact on the environment



- Decentralized and **mobile systems**

PRODUCT: SOLARAQ I



OFF-GRID SOLUTION



**REDUCED IMPACT
ON THE
ENVIRONMENT**



**STEADY SELF-
SUSTAINABLE WATER
SUPPLY**



**REMOTE
MONITORING**



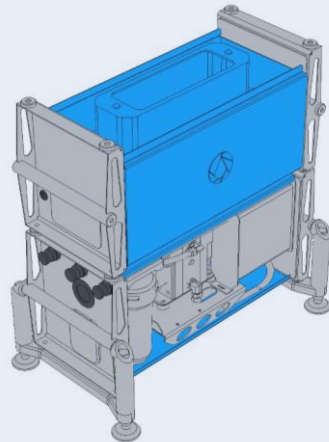
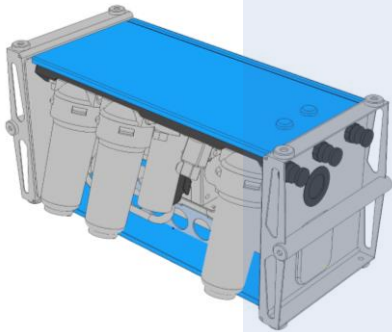
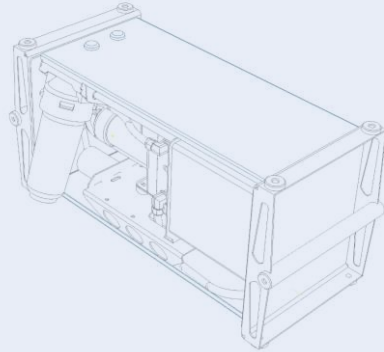
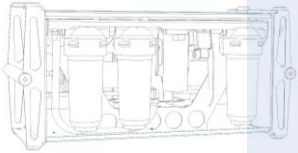
PLUG & PLAY



**LOW IN
MAINTENANCE,
USER-FRIENDLY**

TECHNOLOGY

DEPENDING ON TYPE OF WATER WE USE:



- ❖ PREFILTRATION
- ❖ ULTRAFILTRATION
- ❖ REVERSE OSMOSIS
- ❖ UV DISINFECTION
- ❖ ACTIVATED CARBON
- ❖ MINERAL FILTER



**WE HELP YOU CONVERT ANY WATER SOURCE INTO 100% PURIFIED
& SUSTAINABLE DRINKING WATER**



**RAIN WATER HARVESTING &
PURIFICATION 30-350L/H**



**RIVER WATER PURIFICATION
30-350L/H**



**LAKE WATER PURIFICATION
30-350L/H**



**SEA WATER DESALINATION
30-50L/H**



BOSAQ[®]
The sustainable water company

Show Case



PREMIUM WATER



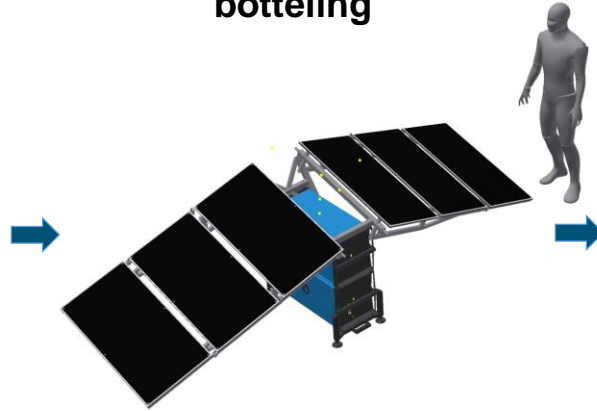
The Water of Tomorrow

SOLUTION

W
A
T
E
R
S
O
U
R
C
E
S



On-site purification & bottling



Investment,
3rd party financing or
leasing

Premium bottled
water



Water of Tomorrow



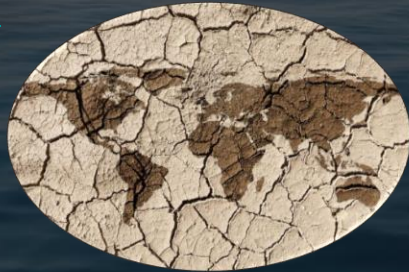
Unique and sustainable
Bottle Design



Made Local
Taste Global



Carbon Neutral



No exhaustion of our
Water Resources



Pure & Healthy



Water Heroes

- Self-managed non-profit organization
- A **business model** that enables us to put our **vision into action**
- Gets **10%** of BOSAQ's profits
- Buying BOSAQ's services and products = Supporting Water Heroes
- Distributes BOSAQ's products among those who need it the most but can't afford it.



BOSAQ[®]
WATER THAT SAVES THE WORLD

‘WHY WAIT FOR TOMORROW IF YOU CAN
BE A HERO TODAY?’

*“Together we will build a world where everyone has
access to clean premium sustainable drinking water “*

Questions?

jacob.bossaer@bosaq.com

0497 68 61 22